



VE Series

Floor Scales and Platforms



Affordability, Durability, Ohaus Quality & Value

The OHAUS VE Series of floor platforms and scales are the value solution to your daily weighing needs in industrial and commercial applications. Their high-quality material and construction is designed to minimize distortions under heavy loads, and ensures years of performance you can count on. OIML/EC Type approved components ensure provide consistent and accurate weighing results. Also available with ramps and mounting accessories, the VE Series offer a unique combination of value, quality and dependability.

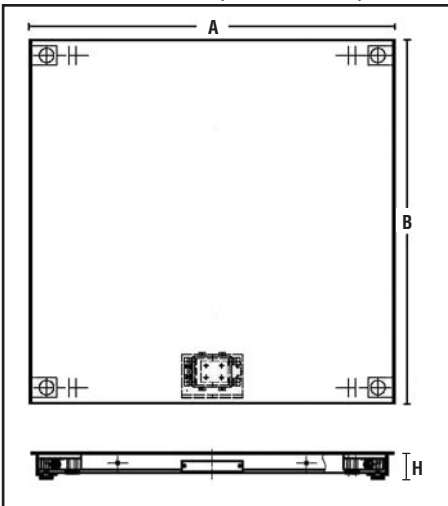
Standard Features Include:

- 2 popular capacities: 1,500kg and 3,000kg in 3 platform sizes: 1m x 1m, 1.25m x 1.25m, 1.5m x 1.5m
- Painted mild steel with structural bracing that ensures a stiff and solid construction
- Platform surface features a raised cross-hatch pattern for added slip resistance and safety
- 4 x OIML R60 approved IP67 alloy steel load cells
- 4 x load cell mounted feet, carbon steel, adjustable height, ball-in-cup swivel design
- Side access IP65 dust and water jet protected stainless steel junction box with 5m long cable
- OHAUS T31P indicator featuring backlit LCD displays with high-visibility 25mm high digits, 4 weighing units (kg, g, lb:oz, lb, oz), rechargeable lead acid battery operation and piece counting functions

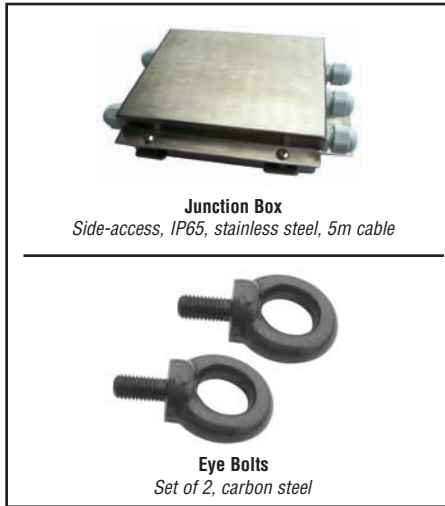
VE Series Floor Scales and Platforms

Specifications					
Platform Models	VE1500S	VE1500R	VE3000R	VE1500L	VE3000L
Capacity x Readability	1500kg x 0.5kg	1500kg x 0.5kg	3000kg x 1kg	1500kg x 0.5kg	3000kg x 1kg
Platform Size (A x B x minH)*	1m x 1m x 9cm	1.25m x 1.25m x 9cm		1.5m x 1.5m x 9cm	
Approval Resolution	1:3000e				
Platform Material	Painted carbon steel, raised treaded surface, fixed top plate 5 mm thick				
Maximum Central Load	2500kg	2500kg	3800kg	2500kg	3800kg
Load Cell	4 x IP67 alloy steel, shear beam, OIML approved				
Load Cell Capacity Emax	1000kg	1000kg	1500kg	1000kg	1500kg
Output Impedance / Excitation Voltage	350 Ω \pm 1 Ω / 5V~15V, DC/AC				
Feet	4 x carbon steel, adjustable height, ball-in-cup swivel design				
Junction Box	IP65, Stainless steel (AISI 304), with 5m long cable				
Accessories	Ramps (1m, 1.25m, 1.5m), Mounting foot plates				
Scale Model with T31P indicator	Add "31P" at end of platform model name: ex. VE1500S31P				
Indicator	Ohaus T31P				
Material	ABS plastic				
Weighing Units	kg, g, lb, oz, lb:oz				
Display	Backlit LCD, 25 mm high, 6-digit, 7-segment				
Interface	Built-in RS232				
Power	AC adapter or integral rechargeable lead acid battery (100 hour typical operation on full charge)				
Other Features	Piece Counting, Geographical gravity adjustment				

*Outline Dimensions (Platform Size)



Included Components (Platform)



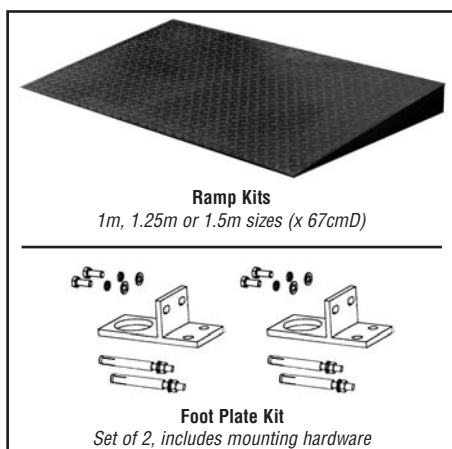
Included Components (Scale)



Structural Features



Accessories



www.ohaus.com

* ISO 9001:2000
Registered Quality Management System

© Copyright Ohaus Corporation

